

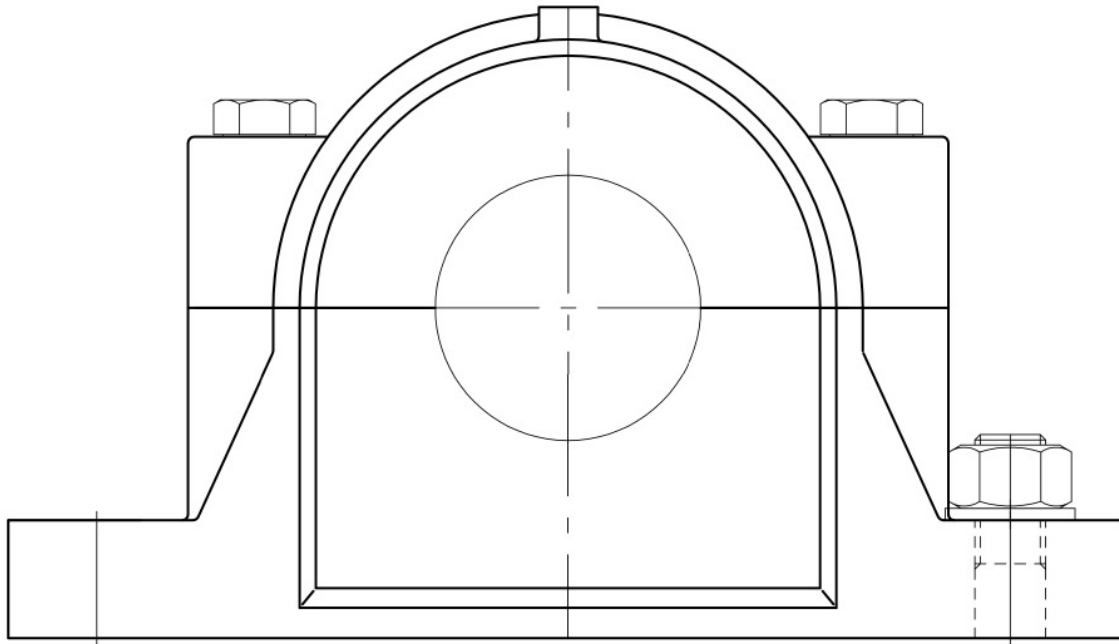
Plummer Blocks (split)



Series SSNI 5 and SSNI 6 with reinforced base

For self-aligning ball bearings or spherical roller bearings
with adapter sleeve

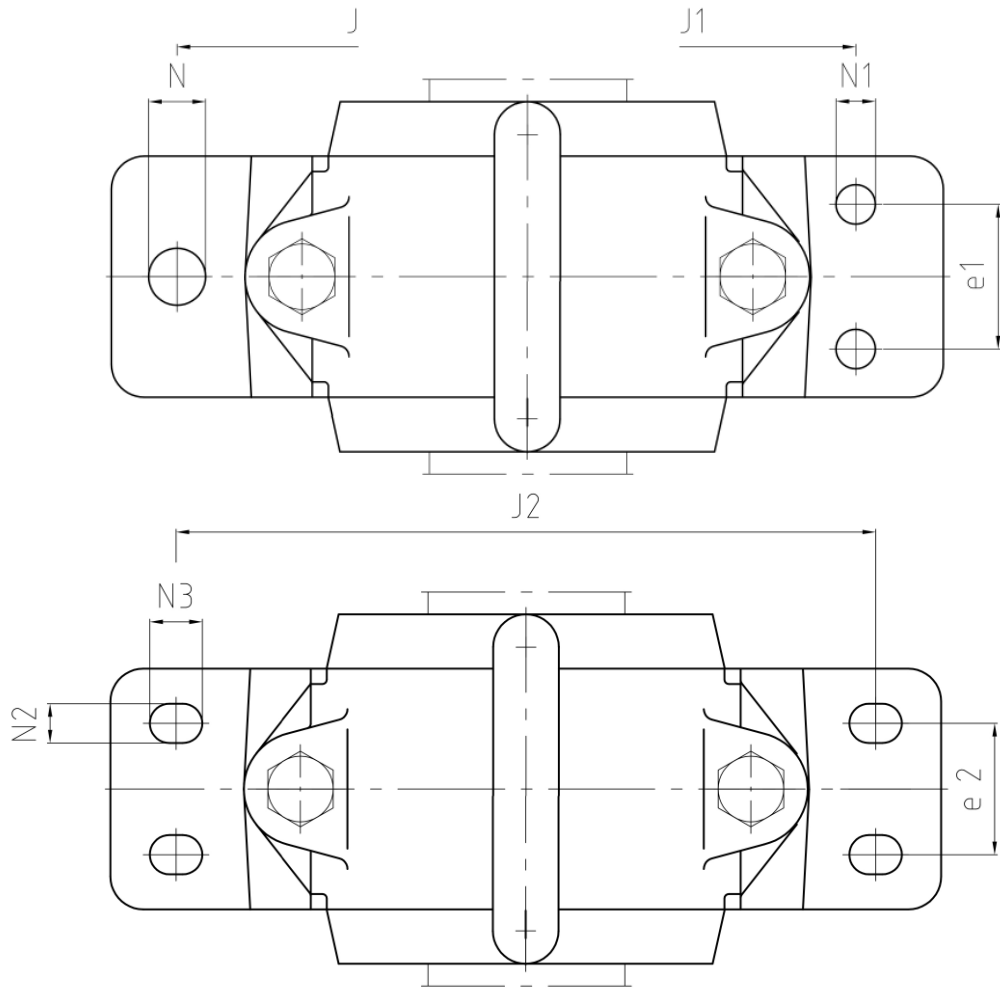
Main dimension are the same as SNI housings



Standard delivery is without mounting bolt holes. On request we deliver with 2 or 4 bolt holes according to the dimensions table.
Material GGG 40 + GS 45

Housing Ref. No.	2 Bolt holes		4 Bolt holes			4 Slotted holes			
	N	J	N ₁	J ₁	e ₁	N ₂	N ₃	J ₂	e ₂
SSNI 508-607									
SSNI 509	15	170	11	160	34				
SSNI 510-608	15	70	11	160	34				
SSNI 511-609	18	210	14	200	40	15	20	210	35
SSNI 512-610	18	210	14	200	40	15	20	210	35
SSNI 513-611	18	230	14	220	48	15	20	230	40
SSNI 515-612	18	230	14	220	48	15	20	230	40
SSNI 516-613	20	260	18	252	52	18	24	260	50
SSNI 517	20	260	18	252	52	18	24	260	50

Series SSNI 5 and SSNI 6 with reinforced base
 For self-aligning ball bearings or spherical roller bearings with adapter sleeve



Reference Housing	2 Bolt holes		4 Bolt holes			4 Slotted holes			
	N	J	N ₁	J ₁	e ₁	N ₂	N ₃	J ₂	e ₂
SSNI 518-615	22	290	18	280	58	18	24	290	50
SSNI 519-616			18	280	58	18	24	290	50
SSNI 520-617	26	320	18	300	66	18	24	320	60
SSNI 522-619	26	350	18	320	74	18	24	350	70
SSNI 524-620	26	350	18	330	74	18	24	350	70
SSNI 526	28	380	22	370	80	22	28	380	70
SSNI 528	35	420	26	400	92	26	32	420	80
SSNI 530	35	450	26	430	100	26	32	450	90
SSNI 532	35	470	26	450	100	26	32	470	90